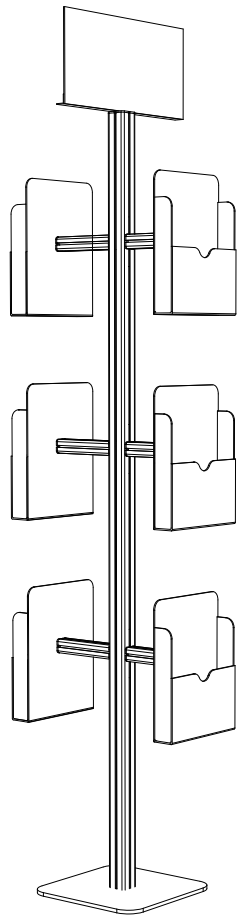
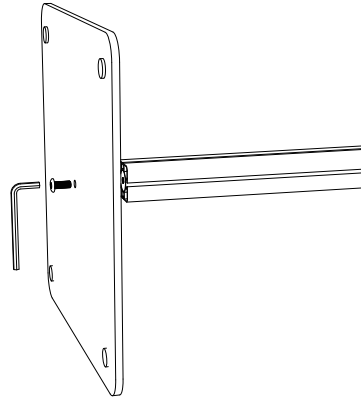


# FD BROCHURE DISPENCER 1

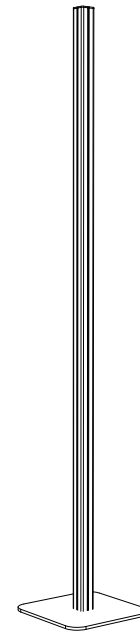
Flexi Display System



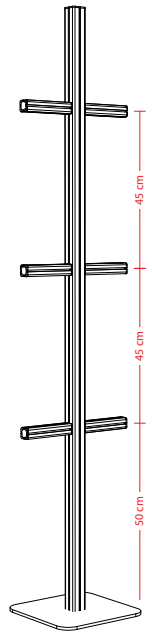
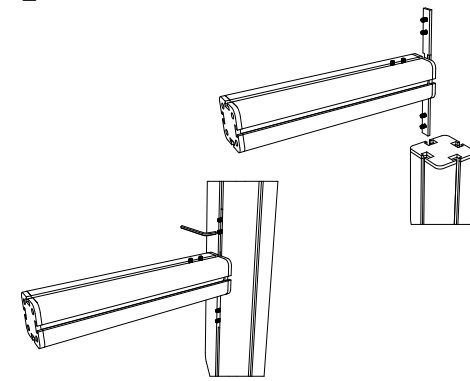
1



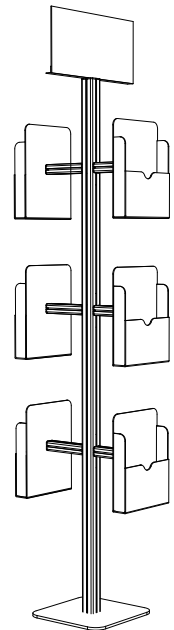
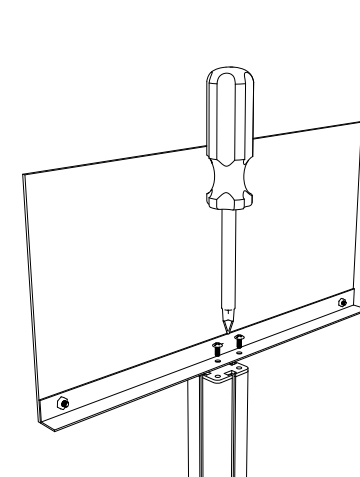
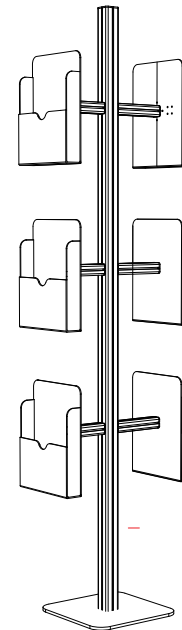
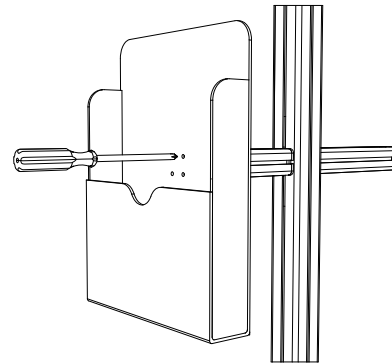
2



4



3



## Komponen

- |                     |       |                              |       |
|---------------------|-------|------------------------------|-------|
| 1. Pole L-40 170 cm | 1 pcs | 4. Acrylic Clear Brochure A4 | 6 pcs |
| 2. Pole L-30 15 cm  | 6 pcs | 5. Acrylic Header 40 x 20 cm | 1 pcs |
| 3. Base Plat Besi   | 1 pcs | 7. Kunci L                   | 1 pcs |